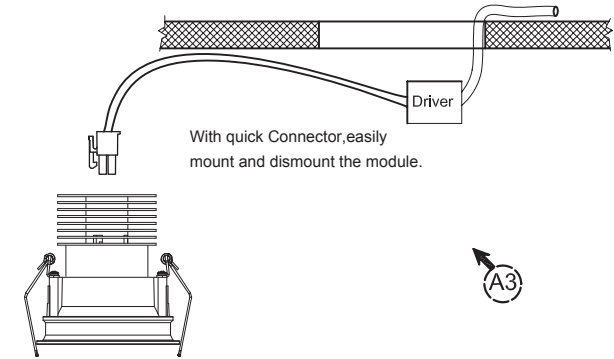


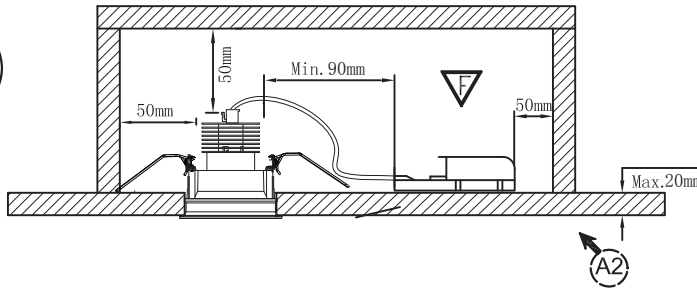
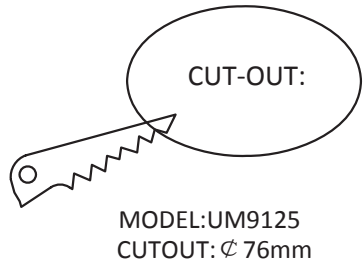
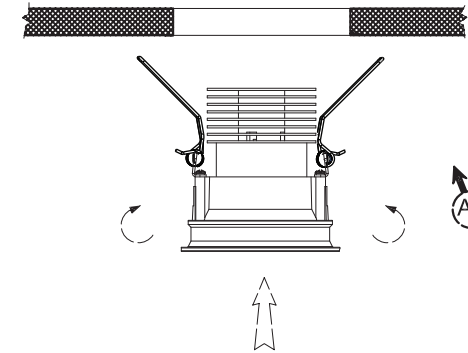
INSTRUCTION MANUAL

- Before installing the lighting fixtures, please read this instruction manual carefully.
- The lighting fixtures should be installed, connected and tested by a certified installer based on the local regulations.
- Lamps should always be installed or replaced with care
- Don't use over rated power lamp.
- Relamping only can be done when the power is off and the lamp is completely cooled down.
- When a lamp is to be cleaned, switch off the fixture and let it cool down completely. Clean the fixture with a soft cloth and a standard PH neutral detergent. Stainless steel finishing should be maintained regularly.
- Misuse of, or changes to the fixture shall nullify the guarantee.
- This recessed luminaire shall under no circumstance be covered with insulating matting or similar material.
- This luminaire is IP44.

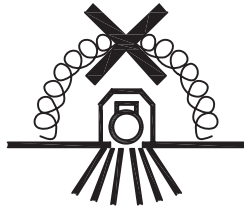


Model	Nominal Voltage	Rated Wattage	LED Used Power Consumption	Appropriate LED Driver
UM9125	AC220V-240V	9W	7W	Constant Current: DC200mA 27-42V

A1



TULEKUMA OÜ



Installation:

- A1— Please read the data in the graph before using.
- A2— Please pay attention to installing method and the spacing between parts, making appropriate holes according to the luminaire specifications.
- A3— Connect with power after power-off.
- A4— Put the fixture into the ceiling according to the sketches.
- A5— Adjust the lamp to a suitable lighting angle range.

